

Technical data:

Thrust: 1500 N / 2000 N / 4000 N / 5500 N
 Power input: 12 VA / 12 VA / 26 VA / 26 VA
 Stroke: 41 mm
 alternatively: 51 und 65 mm (on request)
 Limit switches: 1 changeover switch for each end position
 load dependent, rating 250V / 2A
 Positioning time: 3,3 s/mm
 alternatively: 2,2 s/mm (option 49t12)
 Controlling: with 3-point step controller
 alternatively: 4...20 mA / 0...10 V (option 49sr..)
 Power supply: 230V / 50...60Hz
 alternatively: 115V / 50...60Hz (option 49u1)
 24V / 50...60Hz (option 49u2)
 24V DC (option 49u8)
 Protection class: IP 65
 Manual emergency operation: with hand wheel
 Mounting position: any, avoid hanging position
 (damaging possible by effluent media)
 Max. ambient temperature: -15...60° C
 Weight: 7 kg



Accessories, special types:

Add. limit switches load dependent (see page 49e)
 Add. signal switches travel dependent for max. 40mm stroke (see page 49w)
 Feedback potentiometer for max. 40mm stroke (see page 49f)
 Integrated positioner for max. 40mm stroke (see page 49sr)
 Integrated process controller (see page 49r)
 Feedback signal 4-20mA / 0-10V for max. 40mm stroke
 Actuator heater (on request)
 Other positioning speed (on request)

Order text:

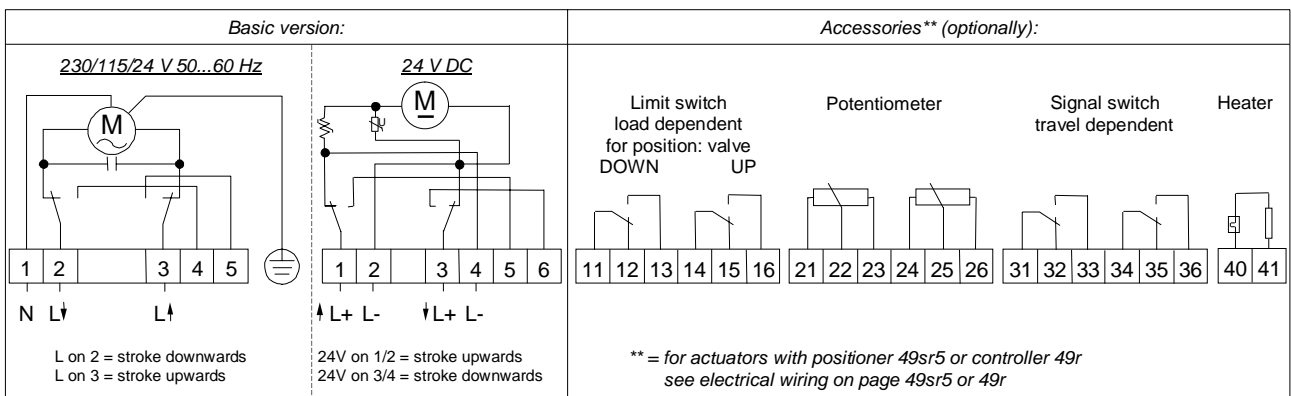
Electrical actuator for stroke . . . mm, thrust . . . N
 Power supply . . . , positioning time . . . s/mm
 Mounting rods . . . mm
 List-No. 4e1 . . .
 Accessories: . . .

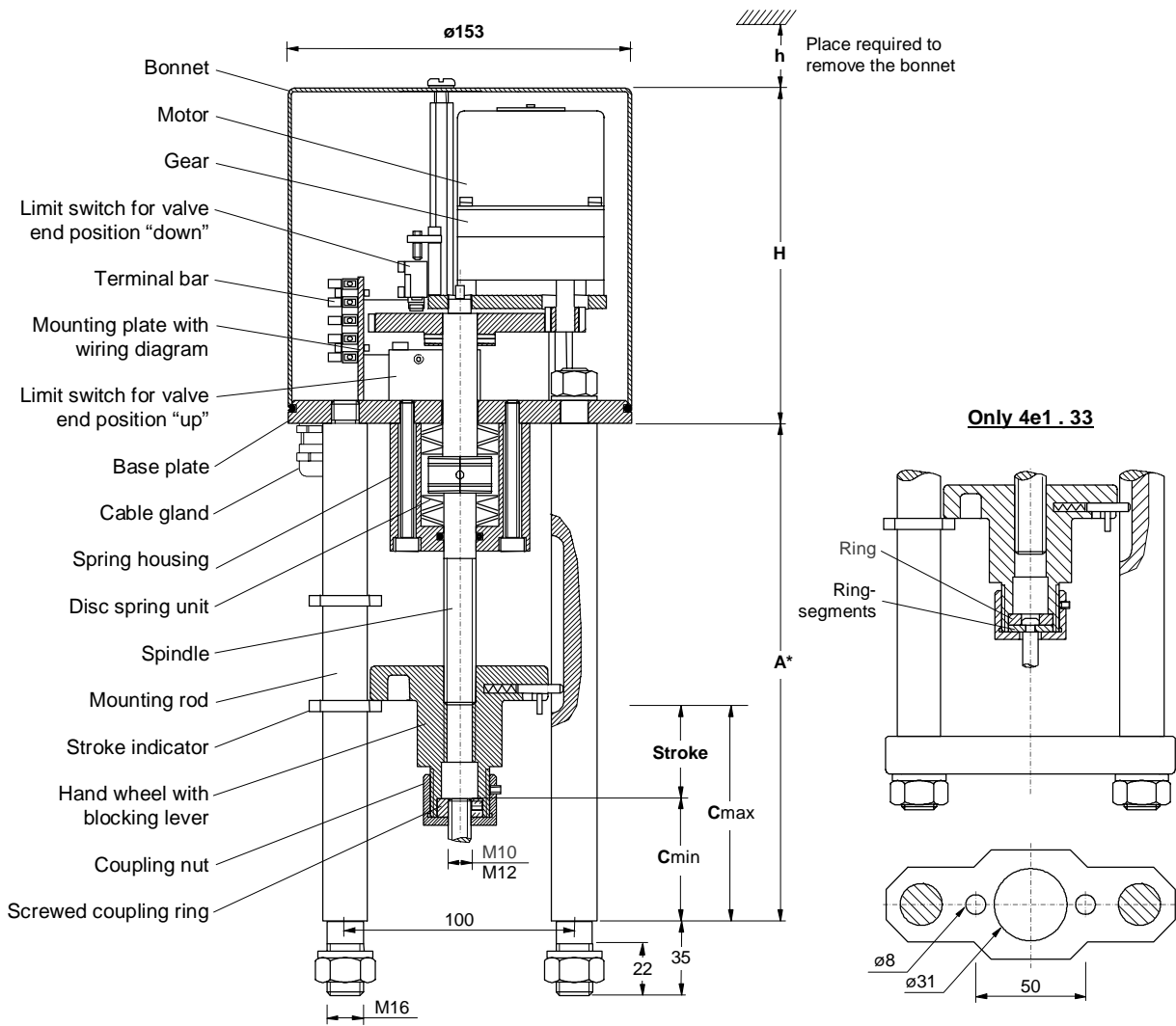
Type summary:

Mounting rod length: (mm) *	195		200		218		231		250		295
	Stroke (mm)	41	41	51	41	51	41	51	41	51	65
Thrust (N)	1500	4e1133	-	-	-	-	-	-	-	-	-
	2000	-	4e1230	4e1250	4e1231	4e1251	4e1232	4e1252	4e1235	4e1255	-
	4000	4e1433	4e1430	4e1450	4e1431	4e1451	4e1432	4e1452	4e1435	4e1455	4e1466
	5500	-	4e1630	4e1650	4e1631	4e1651	4e1632	4e1652	4e1635	4e1655	4e1666

* = other mounting rod lengths on request

Electrical wiring:





Type	A* mm	Stroke max. mm	Cmin mm	Cmax mm	H mm		h mm	
					without 49r.../49sr	with 49r.../49sr	without 49r.../49sr	with 49r.../49sr
4e1 . 33	195	41	40	81	146	191	145	190
4e1 . 30	200	41	45	86				
4e1 . 31	218	41	63	104				
4e1 . 51	218	51	37	88				
4e1 . 32	231	41	76	117				
4e1 . 52	231	51	50	101				
4e1 . 35	250	41	95	136				
4e1 . 55	250	51	69	120				
4e1 . 66	295	65	96	161				

* = other mounting rod lengths on request